

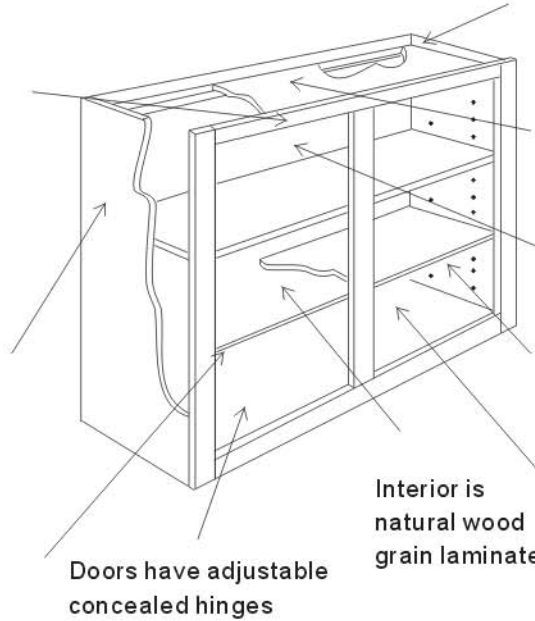
# CONSTRUCTION

## WALL CABINETS

1 3/4" x 3/4" solid wood face frames; mortise and tenone, glued and stapled joints

1/2" unfinished plywood end panels with laminated interior dadoed to receive cabinet top and bottom

1 1/2" x 3/4" Solid wood hanging rail



1 1/2" x 3/4" Solid wood hanging rails

1/2" Wood grain laminated plywood top

1/8" Wood grain laminated plywood back with (1/2" x 3/4") plywood reinforcement.

5/8" or 3/4" Laminated plywood adjustable shelves with edgebanding; dual locking WellLock shelf clips

1/2" Wood grain laminated plywood bottom

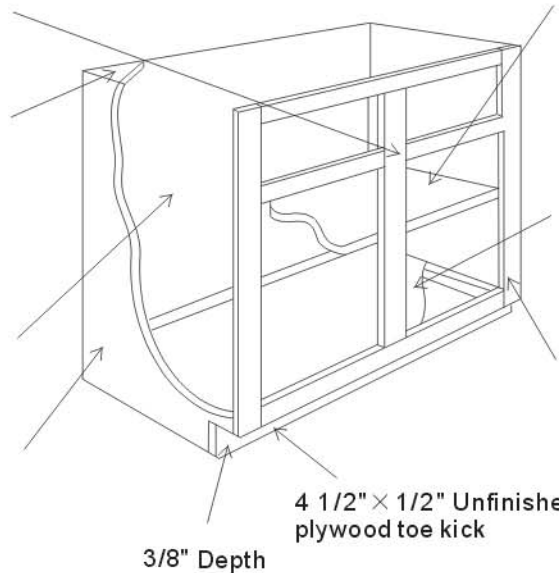
## BASE CABINETS

3 1/4" x 3/4" Solid wood center stile

high impact polystyrene corner braces screwed into sides and frame

1/8" Wood grain printed plywood back with 1 1/2" x 3/4" plywood reinforcement

1/2" unfinished plywood end panels (dadoed to receive cabinet floor.)



5/8" or 3/4" full depth Laminated plywood adjustable shelves with edgebanding; dual locking shelf clips

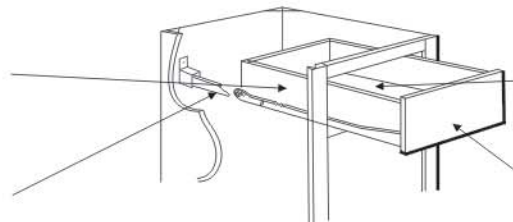
1/2" Wood grain laminated plywood bottom (plywood brace on 36" and wider cabinets)

1 3/4" x 3/4" Kiln-dried solid wood face frames; mortise and tenoned, glued and stapled joints

## DRAWERS

3/4" Solid wood /plywood drawer sides, tenoned to accept 1/2" sub-front and back

Epoxy coated captive self-closing drawer slides (drawer has 75 lb. capacity)



1/8" Wood grain plywood drawer bottom

3/4" Solid wood/wood veneer drawer front\*